

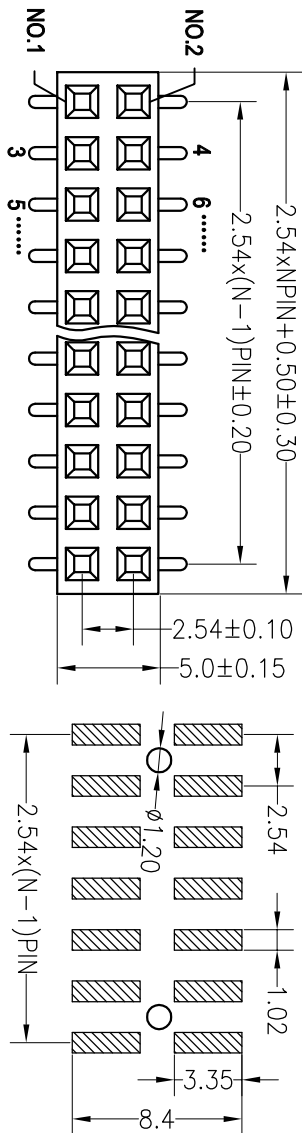


SPECIFICATIONS

Rated Current: 3.0AMP
 Contact Resistance: 20mΩ Max
 Withstand Voltage: 1000V AC/DC
 Insulation Resistance: 1000MΩ Min
 Operation Temperature: -40°C to +105°C

Contact Material: Brass
 Contact Plating: Au or Sn Over Ni
 Insulator Material: Polyester (UL94V-0)
 Standard: PA6T
 Max. Processing Temp: 230°C for 30-60 seconds
 (260°C for 10 seconds)

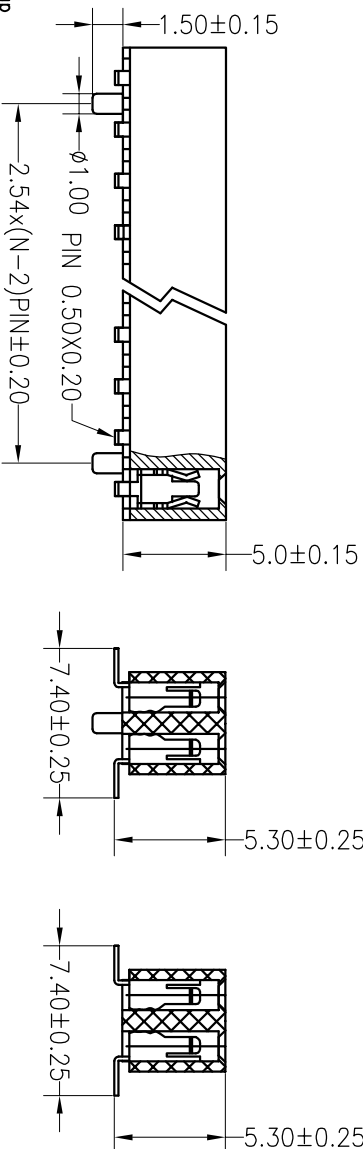
Recommended P.C.B Layout (Top Side)
 (PCB BOARD TOLERANCE ±0.05)



Ordering Information

2250 02 XX X XX M U X 01

No. of Pins Per Row: 2x40
 Insulator Material Option:
 A=BK-PBT
 C=BK-PA6T
 D=BK-PA46
 E=BK-PA9T
 F=BK-LCP
 Post: W=With Post, N=W/O Post
 Contact Plating:
 G0:Gold Flash
 G1:1U" Gold
 G2:1.5U" Gold
 G3:2U" Gold
 G4:3U" Gold
 S0:Gold Flash/Tin
 SN:Tin
 Packing:
 O=PE Bag
 A=Tray
 T=Tube
 P=Tube+Cap
 R=Reel+Cap
 M=Reel+Mylor



OPERATION		DRAW		SCALE		FIT	
X.X	±0.30	YYS Sheng		UNIT	mm	A4	
X.XX	±0.20	CHECK		SIZE	1/1	SHEET	
X.XXX	±0.10	APPROVE		PROJ.	1/1	SMT	
Angle	±3°						
DIM	TOL						

JILIN 深圳市锦凌电子有限公司
 SHENZHEN JINLING ELECTRONIC CO.,LTD
 Tel: 86-755-2997-5806/5802 Fax: 86-755-2997-5992

REV	DATE	MODIFICATION DESCRIPTION	CHANGE
A0	2012.03.28	NEW DRAWING	

1	2	3	4	5	6	7	8	9
---	---	---	---	---	---	---	---	---